



## Dock Buddy Dock Mount

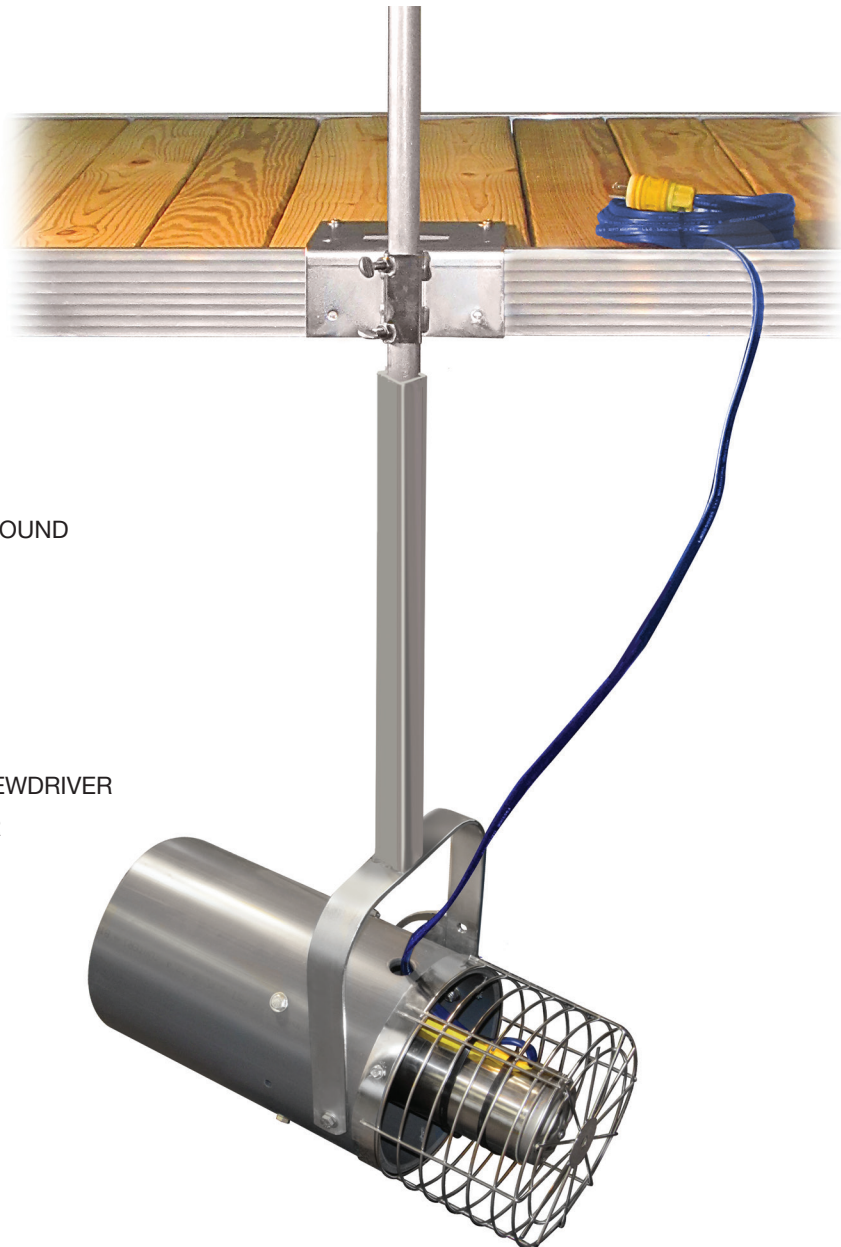
It is our goal to ensure that you are completely satisfied with your new Dock Buddy and that it continues to operate smoothly for many years to come. Please take a few moments to read through this document for proper assembly, installation and maintenance to maximize the operating life of the unit.

### This Kit Includes

- 1 - Dock Buddy HOUSING
- 1 - STAINLESS-STEEL POLE
- 1 - DOCK MOUNTING PLATE
- 1 - STAINLESS STEEL WIRE BASKET
- 1 - PACKET OF LUBRICATING COMPOUND
- 2 - THUMB SCREWS
- 3 - SMALL SELF TAPPING SCREWS
- 4 - LARGE SELF TAPPING SCREWS

### Tools Needed

- ONE 3/8" WRENCH OR SOCKET SCREWDRIVER
- ONE PHILLIPS STYLE SCREW DRIVER
- TWO 1/2" WRENCHES (OR PLIERS)

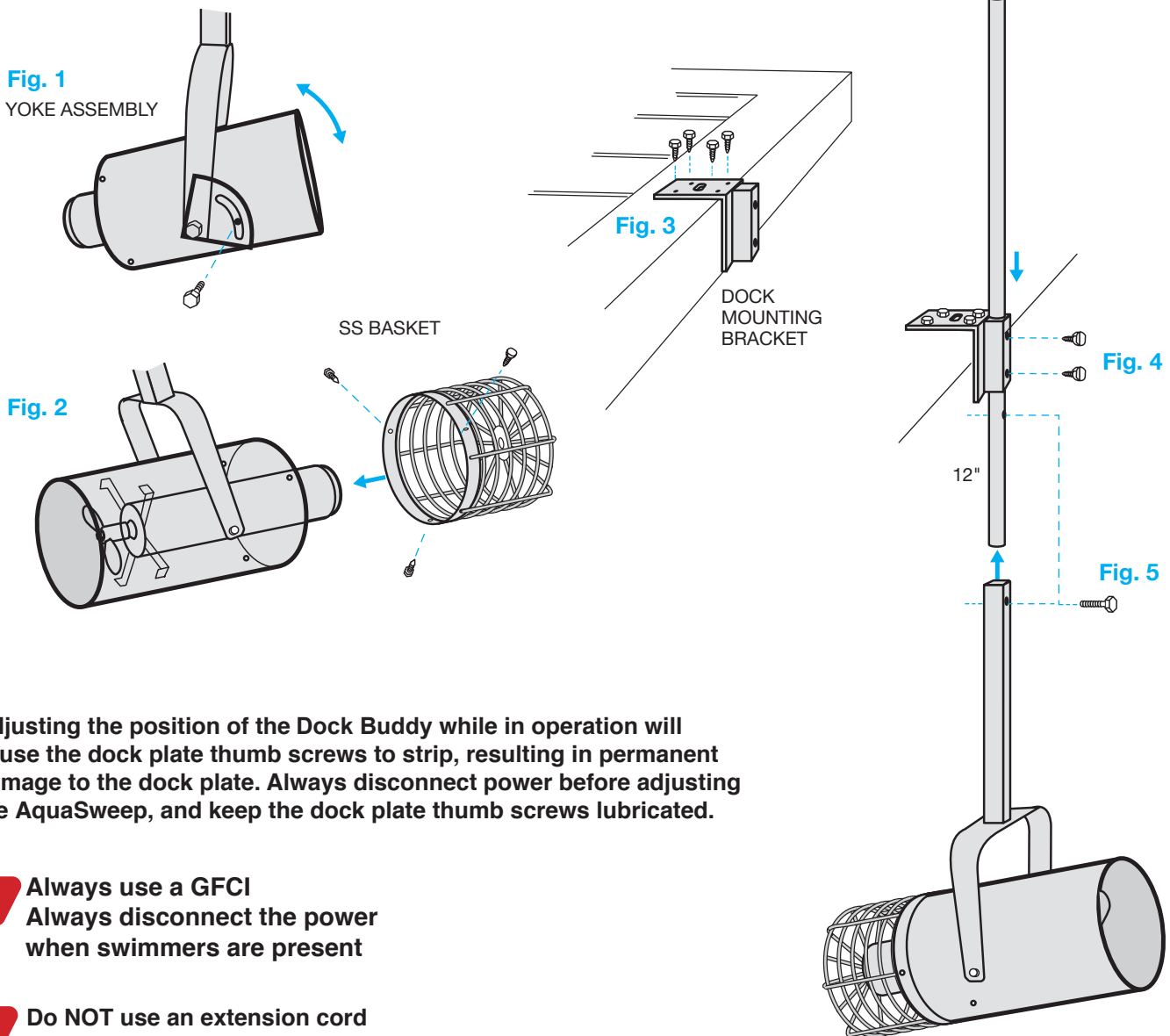


## Assembly Instructions

1. Begin the assembly of your Dock Buddy dock mount model by removing the stainless-steel bolt from the yoke assembly. Adjust the gray Dock Buddy housing to the desired angle for water flow and secure in place with the stainless-steel bolt. Fig. 1
2. The next step is to fasten the stainless-steel basket to the intake side of the gray Dock Buddy housing. This is easily done by aligning the 3 basket eyelets with the 3 pre-drilled holes on the housing and fastening with the 3 small self-tapping screws provided. Fig 2
3. Secure the dock mounting bracket to your wooden or metal dock, utilizing the 4 large self-tapping screws. Fig. 3
4. Once the dock mounting bracket has been secured, the stainless-steel pole can be inserted thru the dock mounting bracket. Simply loosen the 2 thumb screws from the dock plate sleeve, insert the pole from the top thru the sleeve by approximately 12 inches, and then retighten the 2 thumb screws. Fig. 4

The Dock Buddy dock mount model easily adjusts for varying water levels by loosening the 2 thumb screws from the dock mounting bracket and raising or lowering the Dock Buddy. Please note, the 2 thumb screws are coated with a special lubricating compound specifically designed for stainless-steel to ensure proper function. An extra packet of this compound has been included with your Dock Buddy purchase; periodic lubrication of the 2 thumb screws is required for years of problem free use and for warranty validation.

5. Now, slide the yoke assembly over the bottom of the stainless-steel pole and secure with the bolt provided. Fig. 5
6. Finally, power can be supplied to your Dock Buddy utilizing a standard 110 volt receptacle protected by a GFCI. Extension cords should not be used. Disconnect power when swimmers are present.



Adjusting the position of the Dock Buddy while in operation will cause the dock plate thumb screws to strip, resulting in permanent damage to the dock plate. Always disconnect power before adjusting the AquaSweep, and keep the dock plate thumb screws lubricated.

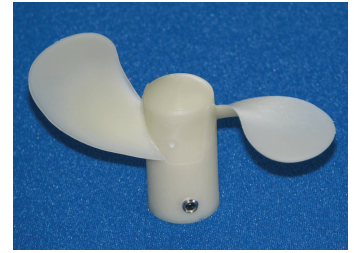
**!** Always use a GFCI  
Always disconnect the power  
when swimmers are present

**!** Do NOT use an extension cord  
to supply power to the motor

## Maintaining your Dock Buddy - Dock Mount Model

Most of our products require very little to any maintenance. Under normal operating conditions, you should enjoy many years of trouble free service from the unit. As a rule of thumb, the propeller assembly on our Dock Buddy should be changed every five years. This is a simple procedure that can be done on-site. When the unit is removed from the water for the propeller switch, it would be a good opportunity to wash the unit down with high pressure water. Once the unit is clean, a visual inspection of the entire aerator is recommended to be certain nothing is restricting water flow.

Nashville Pond has engineered all of its water features to eliminate the need for time consuming and costly winterizing products and procedures. Simply reverse the order of the assembly instructions and place in a dry, safe storage area.



Propeller  
Part # 30005

## Dock Buddy - Dock Mount Model Specifications

ITEM#	DESCRIPTION	FLOW RATE	FLOW DISTANCE	HEIGHT	WEIGHT	VOLTS	RATED INPUT AMPS	WATTS
15000	1/3 HP DOCK MOUNT	300 GPM	40 FT	73"	40 LBS	115	8	630
16000	1/2 HP DOCK MOUNT	400 GPM	50 FT	89"	55 LBS	115	10	680

MOTOR RATING				
	1/3 HP 115V	1/2 HP 115V/230V	3/4 HP 230V	1 HP 230V
WATTS	630	670	680	1217
AMPS	8	10/5	7	8.2
GALLONS/MIN	300	400	450	500

\*Longer power cords available

## Mounting options

The standard dock platform mounting bracket (included) will accommodate most standard docks. If your application requires special mounting equipment, please give us a call and we'd be happy to assist.



Dock Platform  
Mounting Bracket  
Part #20026



Dock Post  
Mounting Bracket  
Part #16501

## Fully Programmable Oscillator (optional accessory)

Our fully programmable oscillator attachment makes moving muck even easier. No need to turn the Dock Buddy in its mounting; the oscillator does it for you! We pre-program the oscillator to rotate the AquaSweep in 20 degree increments every 20 minutes; you set it for any radius you wish. Then plug it in and forget about it!



Oscillator  
Part #165750

### **The Nashville Pond Dock Buddy Warranty**

All standard Dock Buddy products are unconditionally warranted for five years against motor defects in materials or workmanship, under normal operating conditions. All other product components are warranted for one year from date of purchase. Nashville Pond will repair or replace failed parts under warranty when the defective unit is returned to the factory, shipping prepaid, and factory inspection establishes that the part was defective. The unit must be returned to the factory prior to shipment of replacement parts. All parts replaced under this warranty will be returned with shipping prepaid. Nashville Pond will not be liable for consequential damage nor for any costs associated with removal or attempts to repair components in the field.

